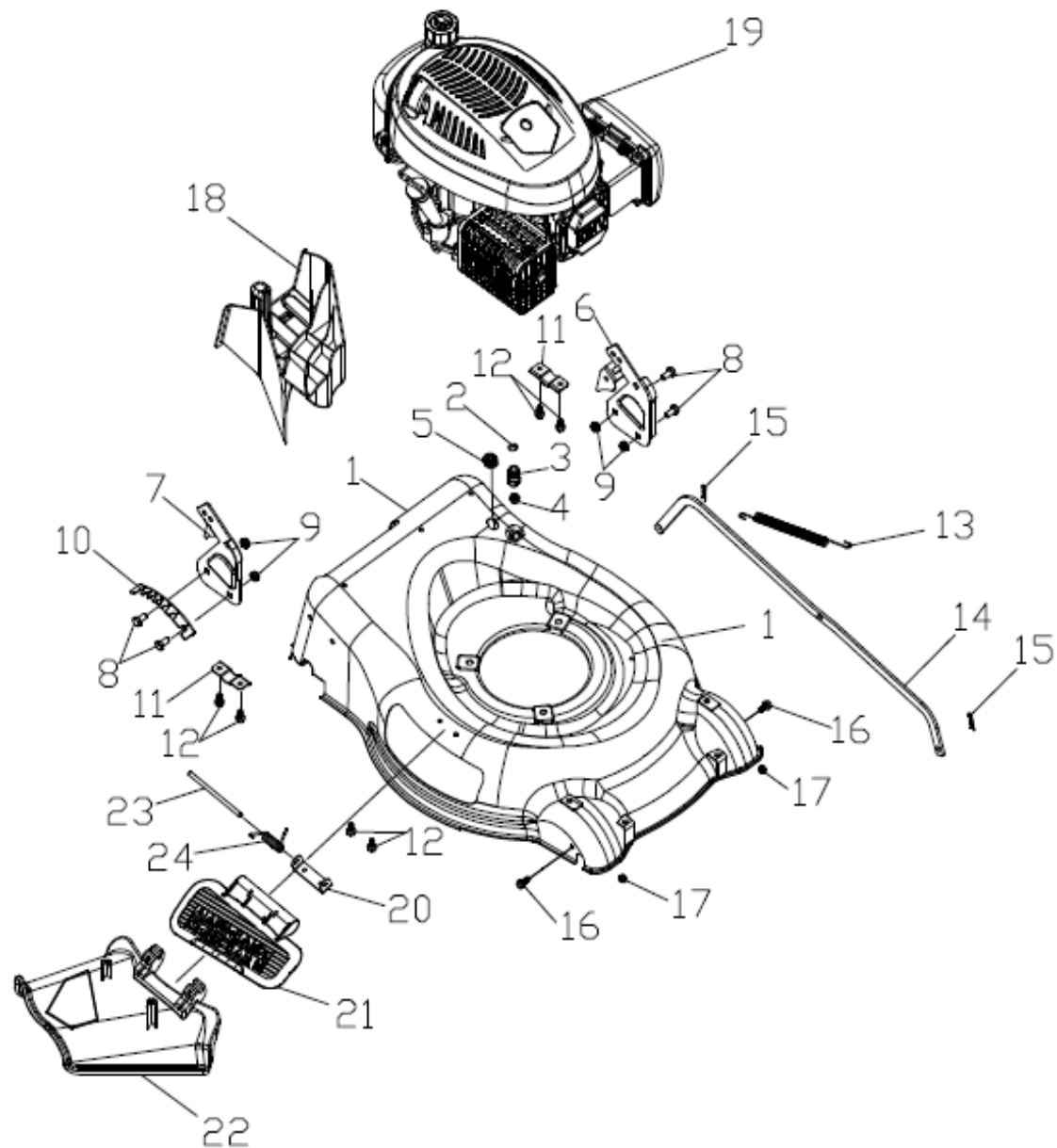
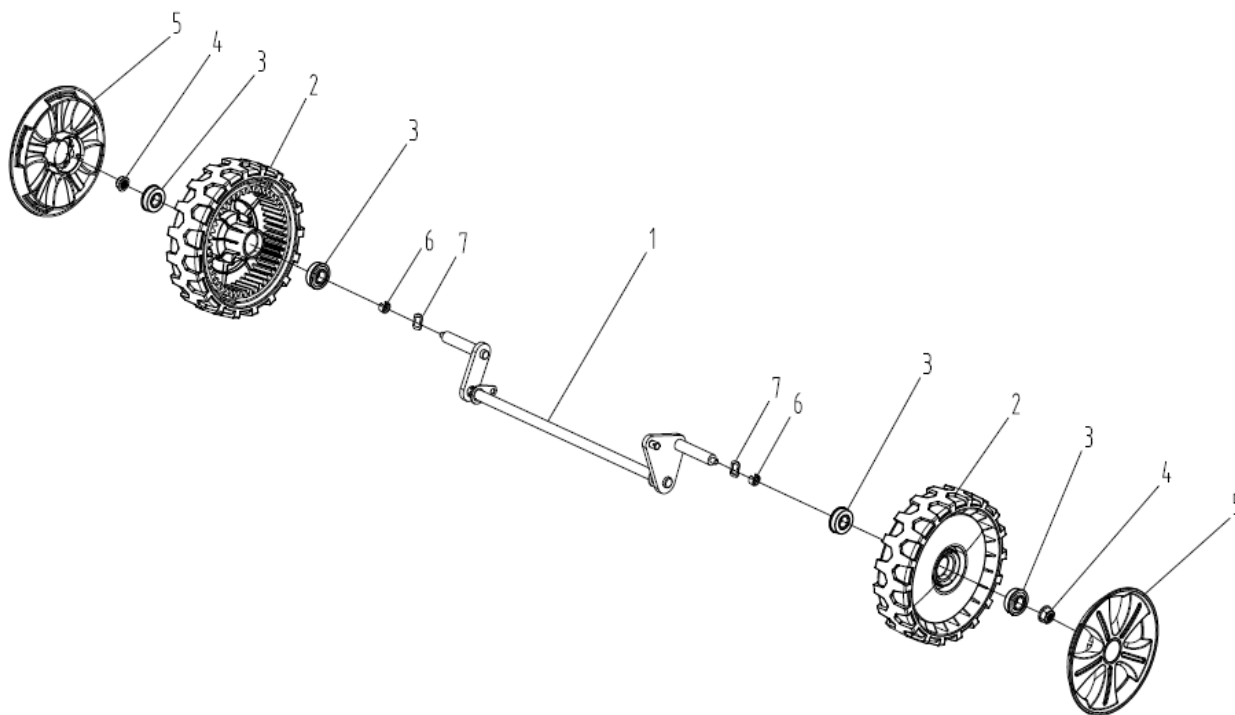


pozice	číslo	název	počet
1	20340060130	foam pipe	1
2	70540083830	stop lever	1
3	70550100130	Self-propelled Lever	1
4	70500550031	upper handrail	1
5	70230090000	Rope Guide	1
6	60130020000	Cap nut	1
7	70050120000	Brake Cable Assy plate	1
8	60060590000	Bolt	2
9	60150080000	Self-locking nut	2
10	20030030000	Plastic stopper	1
11	70810050000	brake cable	1
12	70780080000	selfpropelled cable	1
13	20580020830	quick fix knob	2
14	60250080000	Pin	2
15	70220020000	Quick Fix Handle	2
16	70050180000	lock for fast fix handle	2
17	60190140000	flat washer	4
18	20040140830	lock nut	2
19	60140080000	Hexagon nut	4
20	70520210031	lower handrail	1
21	20240020000	fastener	1
22	60060420000	Hexagon head bolts	2
23	60040090000	half round head square neck bolt/bolts	2
24	60150020000	Hex lock nut	2
25	20040050830	triangle knob	2

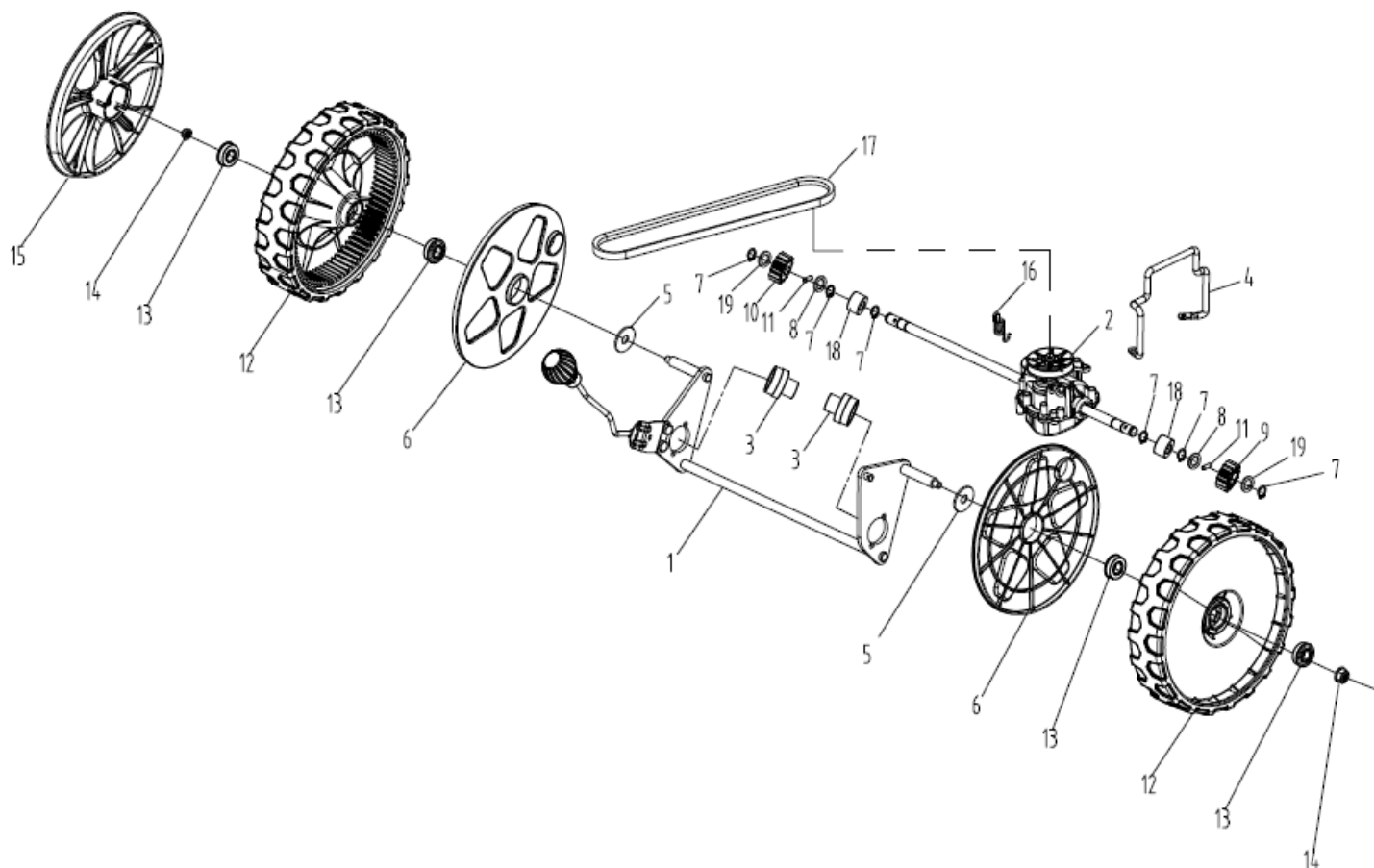


pozice	číslo	název	počet	
1	70740840130	deck welding assy.	1	

2	60370020000	"0" ring	1	
3	20460010000	inlet	1	
4	20460030000	Pipe connector nut	1	
5	20590020000	cable stopper	1	
6	70070120000	left handle bracket	1	
7	70070060000	left handle bracket	1	
8	60060420000	Hexagon head bolts	4	
9	60150020000	Hex lock nut	4	
10	70250060000	height adjustment board	1	
11	70290200000	rear drive bracket	2	
12	60170400000	Hex tapping screws	6	
13	60410080000	Pull Spring for Pull Rod	1	
14	70180180830	Height Adjustment Pull Rod	1	
15	60300030000	R type pin	2	
16	60060520000	Bolt	2	
17	60150080000	Self-locking nut	2	
18	20160090000	mulching plug	1	
19	T545590	petrol engine	1	
20	70060060130	Bracket plate for defelctor	1	
21	20120010000	mulching board	1	
22	20110080000	side discharge cover	1	
23	70030070000	Mulch Shaft	1	
24	60390010000	mulch board spring	1	

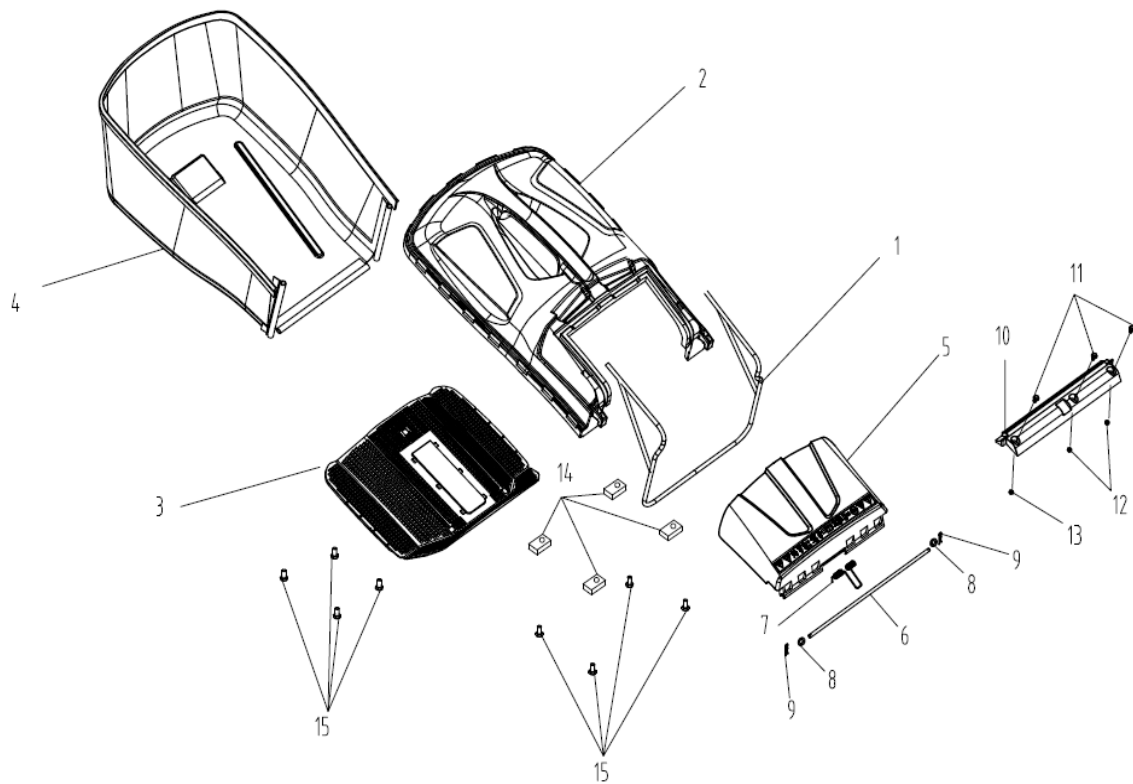


pozice	číslo	název	počet	
1	70840150000	front drive assy.	1	
2	20880161000	wheel assy.	2	
3		wheel punch bearing	4	
4	60150090000	Self-locking nut	2	
5	20620080830	outer cover of hub	2	
6	20140170000	front bracket fastener	2	
7	60180110000	Resilient washer	2	



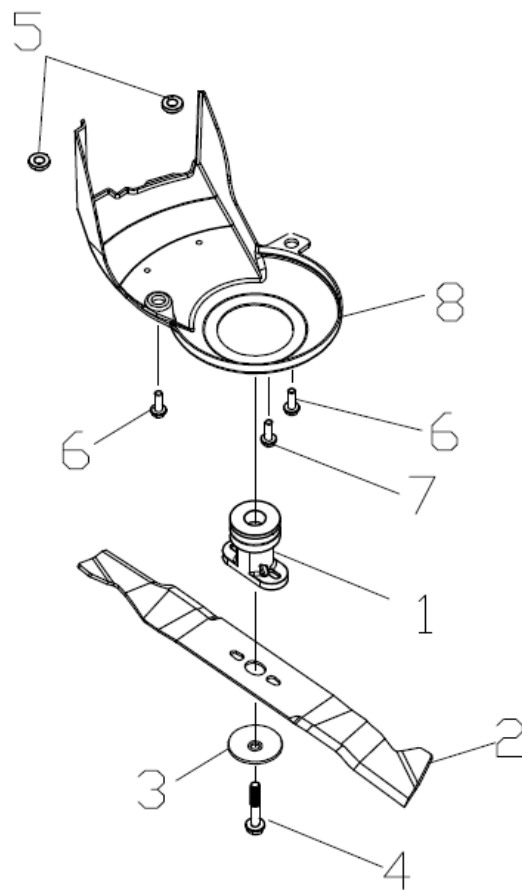
1

pozice	číslo	název	počet
1	70850570000	rear drive assy.	1
	20270010000	height adjustment ball	1
2	70860390000	petrol engine	1
3	20430030440	bush	3
4	70050230000	Brake spring	1
5	60200090000	Gasket	2
6	20610060000	inner cover of hub	2
7	60240060000	spring washer	6
8	21070030000	selfpropelled ratchet washer	2
9	70300190000	Ratchet Wheel L	1
10	70300200000	Ratchet Wheel R	1
11	60290070000	bratchet pin	2
12	20880154000	wheel assy.	2
13		wheel punch bearing	4
14	60150090000	Self-locking nut	2
15	20620100830	outer cover of hub	2
16	60410560000	selfpropelled spring	1
17	60320060000	v belt	1
18	20430140000	rear wheel axle sleeve	2
19	60190080000	Small washer	2



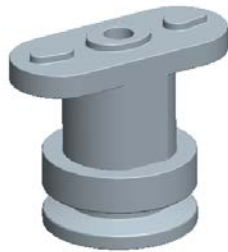





pozice	číslo	název	počet
1	70010090000	fabric metal frame	1
2	20080090000	top of grass box	1
3	21010010830	filter net of grass bag	1
4	20050080033	fabric grass bag	1
5	20380090000	rear discharge cover	1
6	70030050000	Shaft for rear discharge cover	1
7	60380240000	cover spring	1
8	60220010000	lock washer	2
9	60300030000	R type pin	2
10	20750090000	rear discharge cover dust proof board	1
11	60060290000	Bolt	3
12	60150060000	Self-locking nut	2
13	60130010000	Cap nut	1
14	70040100000	washer	4
15	60170290000	Phillips flat head self tapping screw	8






pozice	číslo	název	počet
1	70140400000	Blade Adapter Assy	1
2	70130360000	blade	1
3	70040070000	blade washer	1
4	60100030000	Inch hex flange bolts	1
5	70150240000	Chassis bushing	2
6	60060180000	Hex flange bolts	2
7	60060390000	Hex flange bolts	1
8	20660110000	belt cover	1

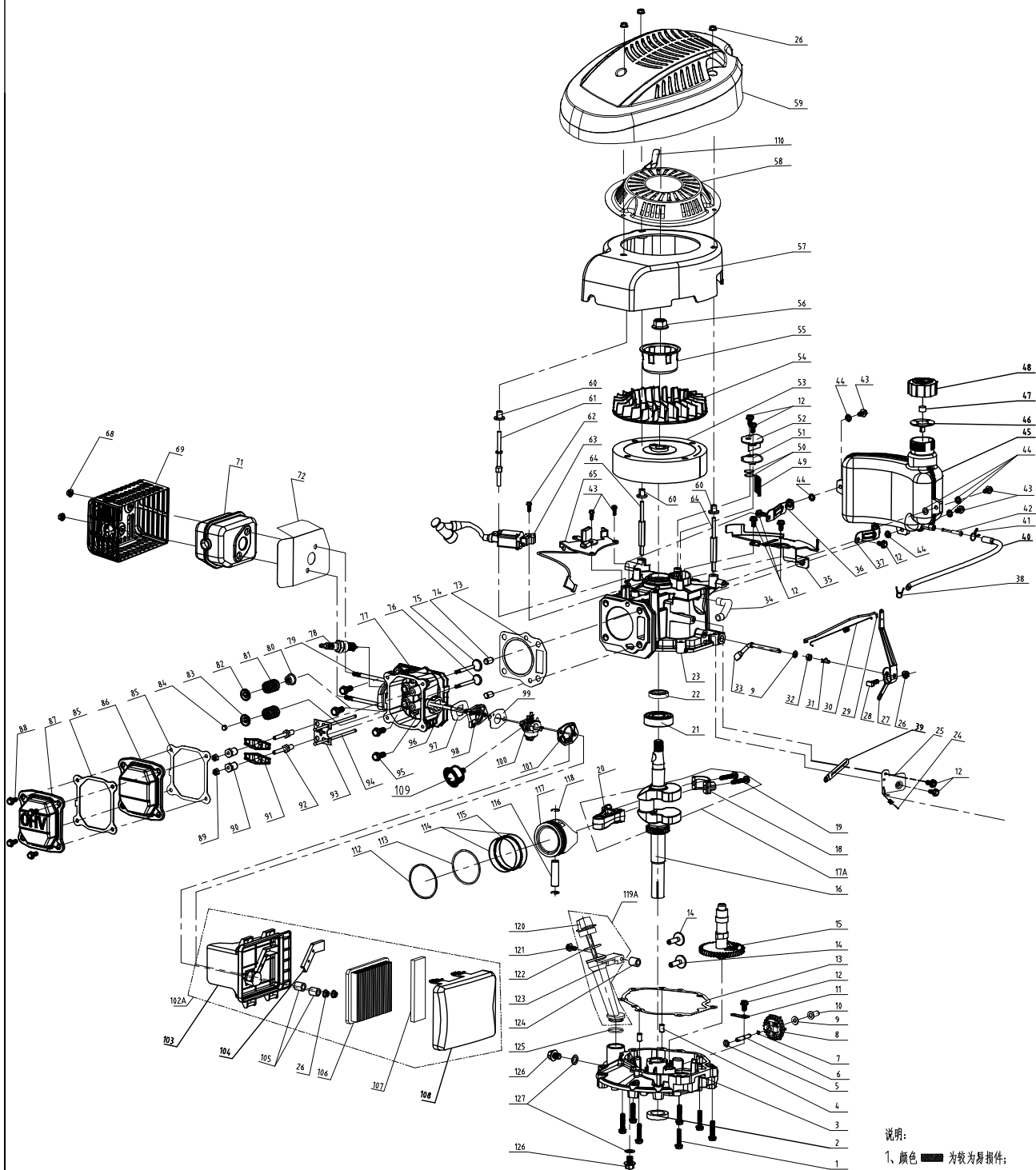


1	70140400000	Blade Adapter Assy	
2	70130360000	blade	
3	20880154000	wheel assy.	
4	20620100830	outer cover of hub	
5	20880161000	wheel assy.	
6	20620080830	outer cover of hub	

7	20660110000	belt cover	
8	60320060000	v belt	
9	20580020830	quick fix knob	
10	60250080000	Pin	
11	70220020000	Quick Fix Handle	
12	60190140000	flat washer	

13	20040140830	triangle knob	
14	20120010000	mulching board	
15	20110080000	side discharge cover	

# T475-2汽油机分解图



说明：  
 1、颜色  为较为易损件；  
 2、颜色  为一般易损件；  
 3、本图为带刹车装置不带调速。

比例尺  
 制图  
 审核  
 日期

					宁波市德霖机械有限公司			
					T475带刹车不带调速款			
设计	数量	分型	更改文件号	签名	年月日	数量	重量	比例
制图			标准化			1		1:4
审核			审核					
工艺			批准			共1页	第1页	版本 A1

Poz.	Číslo	Poč.	Název	SPOM单
1	60060590000	7	Bolt	11000W
2	60360100000	1	oil seal	V1R1-0000-000
3	75240140000	1	Crank box cover	V1M1-0100-000
4	60280030000	2	spacing pin	V1M1-0300-000
5	60200060000	1	Gasket	15000W
6	75270010000	1	rate-limiting gear shaft	V1M1-0400-000
7		1	Gear Shaft circlip	V1M1-0500-000
8	75520020000	1	rete-limiting gear assy.	V1P1-0600-000
9	60200490000	2	Gasket	15001B
10	25070010000	1	Sliding Sleeve	V1P1-0700-000
11	75280010000	1	rate-limiting gear shaft	V1M1-0800-000
12	60060520000	11	Bolt	11001W
13	75720240000	1		V1G1-0900-000
14	75250010000	2	pin	V1M8-0000-000
15	75470020000	1	camshaft assy.	V1P8-0100-000
16	75510600000	1	crankshaft assy.	V1M1-6100-000
17	75460020000	1	connecting rod assy.	V1M1-1100-000
18		1		
19		2		
20		1		
21	60010140000	1	rolling bearing	V1M1-1200-000
22	60360090000	1	oil seal	V1R1-1300-000
23	75500010000	1	crankshaft box	V1M1-1400-000
24	60410470000	1	throttle control spring	V1M1-5400-000
25	75360010000	1	throttle assy.	V4M1-2200-000
26	60140020000	6	Hex flange nuts	12000W
27	75070010000	1	throttle rocker arm	V1M1-4300-000
28	60060730000	1	bolt	V1M1-1700-000
29	75160010000	1	Handspike of Valve	V1M1-1800-000
30	60410050000	1	valve spring	V1M1-1900-000
31	60300040000	1	R type pin	V1M1-2000-000
32	60360080000	1	oil seal	V1R1-2100-000
33	75290010000	1	rate-limiting rocker arm shaft	V1M1-2200-000
34	25030020000	1	waste pipe	V1R4-0000-000
35	75330010000	1	main bracket of fuel tank	V1M5-0000-000
36	75310010000	1	right bracket of fuel tank	V1M5-0100-000
37	75340010000	1	left bracket of fuel tank	V1M5-0200-000
38	60230010000	1	fuel pipe lock clamp II	V1M5-0300-000
39	60450010000	1	clip	V2M1-0400-000
40	25160010000	1	fuel pipe	V1R5-0500-000
41	60230020000	1	fuel pipe lock clamp I	V1M5-0300-000
42	25150010000	1		
43	60060590000	3	Bolt	11002W
44	25310010000	6	Cushion Blocking gasket	V1P5-0800-000
45	25180130000	1	fuel tank body	V1P5-1600-000
46	60440030000	1	Fuel Tank Cap seal gasket	V1R5-2000-000
47	80010070000	1	fuel tank cap sponge	V1P5-1100-000
48	25170050000	1	fuel tank cap	V1P5-1202-440
49	75150010000	1	oil filter net	V1M1-2300-000
50	75100020000	2		V1P1-2400-000
51	75720150000	1		V1G1-2500-000
52	75400010000	1	Respirator Cover Plate Assy	V1M1-2600-000
53	75390130000	1	flywheel assy	V1M7-0000-000
54	25040110000	1	fan	V1P7-0100-000
55	75210010000	1	starter hub	V1P7-0200-000
56	60140050000	1	Hex flange nuts	12001W
57	25010010000	1	Blower Housing	V1P7-0300-000
58	75430110000	1	pull starter assy.	V1M7-0400-000
59	25190030000	1		
60		1		
61	60080100000	1	Different-shaped double-head bol	V1P7-0700-000
62	60060590000	1	Bolt	11003W
63	75370030000	1	ignition assy.	V1M7-0800-000

64	60080120000	2	Different-shaped double-head bol	V1M1-0900-000
65	75380070000	1	detent assy.	
66		1		
67		1		
68	60150100000	2	Self-locking nut	
69	75530020000	1	muffler cover assy.	12002W
70				V1M6-0000-000
71	75540020000	1	muffler assy.	V1M6-0200-000
72	75740020000	1		V1G6-0300-000
73	75720100000	1		V1G2-0000-000
74	60280020000	2	spacing pin	V1M2-0100-000
75	75170010000	1	Intake Valve	V1M8-0200-000
76	75190010000	1	Exhaust Valve	V1M8-0300-000
77	75490020000	1	cylinder head assy.	V1M2-0200-000
78	75140010000	1	spark plug	V1M7-1000-000
79	60080020000	2	Dual-head bolts	14000W
80	60360130000	1	oil seal assy	V1M2-0300-000
81	60380080000	2	valve spring	V1M8-0400-000
82	75180010000	1	Spring Coil of Intake Valve	V1M8-0500-000
83	75180020000	1	Spring Coil of Exhaust Valve	V1M8-0600-000
84	75200010000	1	Top Cover of Exhaust Valve	V1M8-0700-000
85	75720270000	2		V1G2-0400-000
86	75220010000	1	cylinder head cover I	V1M2-0500-000
87	75220020000	1	cylinder head cover II	V1M2-0600-000
88	60060530000	4	Bolt	11005W
89	60160030000	2	And nuts	V1M8-0800-000
90	60160050000	2	Valve adjustment nut	V1M8-0900-000
91	75230010000	2	Rocker of Valve	V1M8-1000-000
92	60060760000	2	valve rocker arm support bolts	V1M8-1100-000
93	75260010000	1	push rod director plate	V1M8-1200-000
94	75350010000	2	push rod	V1M8-1300-000
95	60050030000	4	locking bolt	11006W
96	60080030000	2	Dual-head bolts	14001W
97	75730020000	1		V1G3-0000-000
98	25090010000	1	Air Inlet Pipe	V1P3-0100-000
99	75730030000	1		V1G3-0200-000
100	75410050000	1	carburetor assy.	V1M3-0300-000
101	75730100000	1	Steel Gasket	V1M3-0400-000
102				
103	25220010000	1	Air Filter Pedestal	V1P4-0100-000
104	25020010000	1	Exhaust Gas Cover Board	V1P4-0101-000
105		2		
106	25300020000	1		V1G4-0700-000
107	25300010000	1		V1P4-0300-000
108	25120010000	1	Air Filter Upper Cover	V1P4-0400-000
109	25210020130	1		
110				
111				
112	75130060000	1	Piston Ring I	V1M1-2900-000
113	75130030000	1	Piston Ring II	V1M1-3000-000
114	75060010000	2	Guide Rail	V1M1-3100-000
115	75000010000	1	Bushing Ring	V1M1-3200-000
116	60310010000	1	piston pin	V1M1-3300-000
117	75120010000	1	Piston	V1M1-3400-000
118	60400020000	2	Piston Pin circlip	V1M1-3500-000
119	25200100130	1	Lubricating Gauge Assy	V1P1-3600-050
120		1		
121	60060570000	1	Bolt	11007W
122		1		
123		1		
124	25080020000	1	Distance Sleeve of Lubricating Se	V1P1-3800-000
125		1		
126	60061020000	2	Oil drain bolt	11008W
127	60200150000	2	Oil drain bolt gasket	15002W